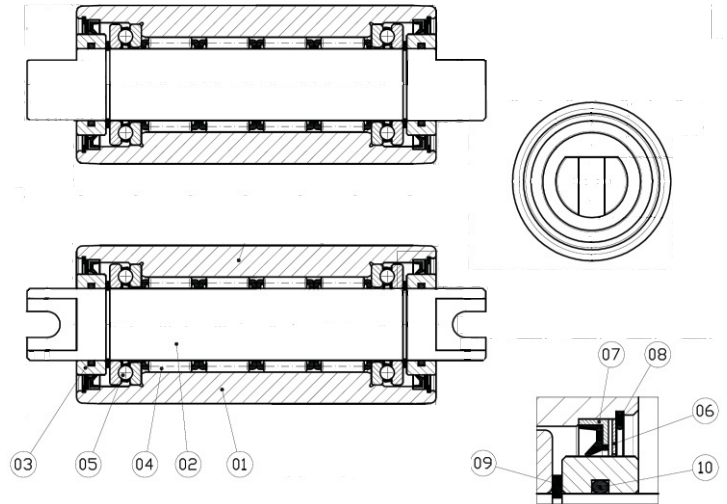


newsletter

## Backup Roll with Shaft

*BMI guarantees the perfect interchangeability with the original bearings.*



- |                |                             |
|----------------|-----------------------------|
| 01 OUTER RING  | 06 SUPPORT FOOTSTEP BEARING |
| 02 PIVOT       | 07 MSM 35X45X4              |
| 03 THRUST RING | 08 FEY AS 46                |
| 04 K25X33X20   | 09 SEEGER A 25              |
| 05 55105       | 10 OR 025-2                 |

The bearings for tension leveller machines are considered backup bearings. **BMI manufactures a lot of sizes in different designs and configuration.** BMI guarantees the perfect interchangeability with the original bearings.

Backup roll with shaft ensures wide working surface along with rolling system made of two or more cages allowing the plant to reach very high flattening performance at high speed.

**The distance rings allow a good support of axial loads.** The series of back up roller is usually manufactured with two lateral thrust bearings in the inner body either with ball or roller which guarantee a very strong support of axial loads.

The outer surface is chrome plated and highly polished to achieve a Ra of less than 0.1 for smooth working.

Also the mounted height measurement is maintained consistently between the rollers to ensure match upon installation.

**For any engineering related queries, feel free to contact our engineers on [design@bmibearings.com](mailto:design@bmibearings.com)**

